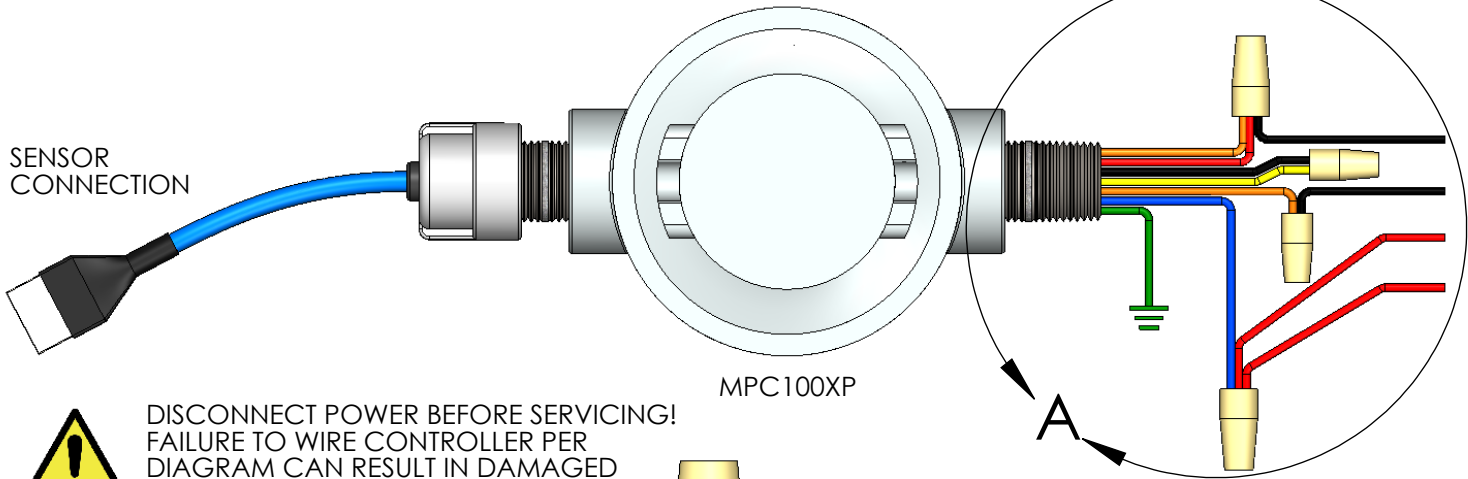


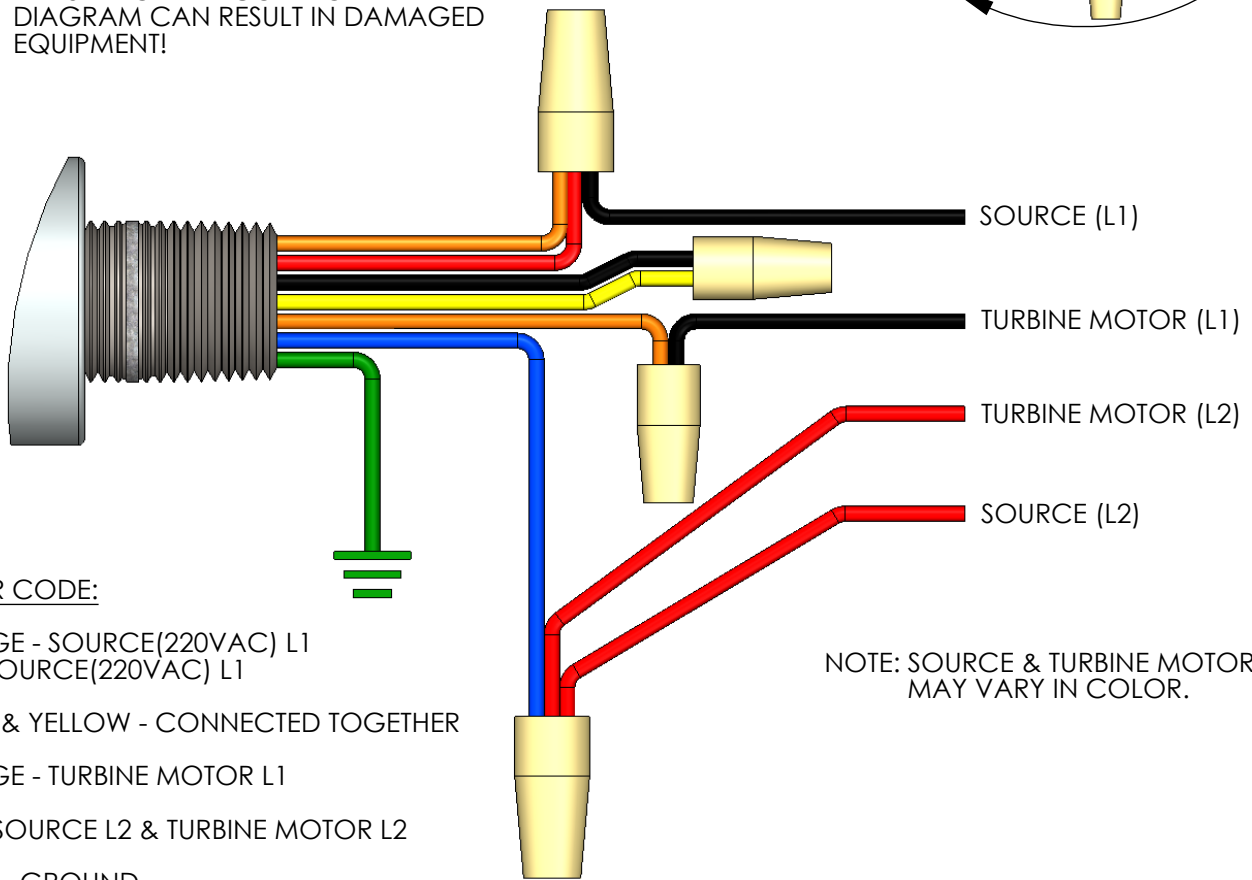
MPC100XP CONTROLLER WIRING DIAGRAM FOR 220VAC, TYPICAL TURBINE MOTOR INSTALLATION

(Not recommended for 3-phase)

SENSOR
CONNECTION



DISCONNECT POWER BEFORE SERVICING!
FAILURE TO WIRE CONTROLLER PER
DIAGRAM CAN RESULT IN DAMAGED
EQUIPMENT!



COLOR CODE:

ORANGE - SOURCE(220VAC) L1
RED - SOURCE(220VAC) L1

BLACK & YELLOW - CONNECTED TOGETHER

ORANGE - TURBINE MOTOR L1

BLUE - SOURCE L2 & TURBINE MOTOR L2

GREEN - GROUND

NOTE: SOURCE & TURBINE MOTOR WIRES
MAY VARY IN COLOR.

