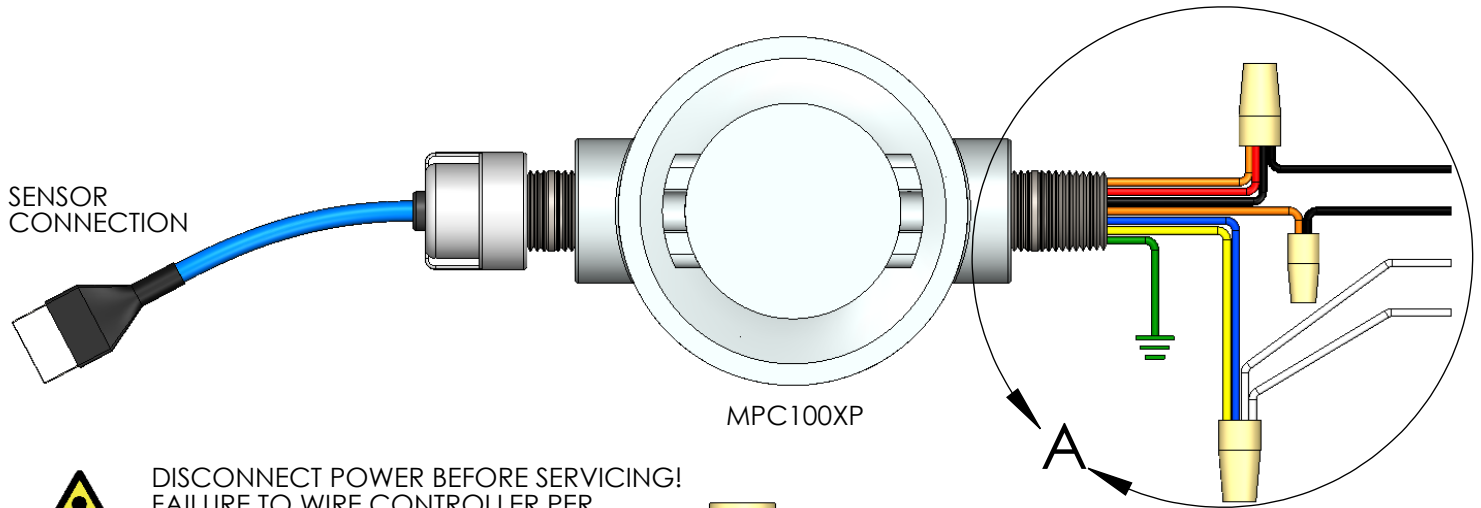
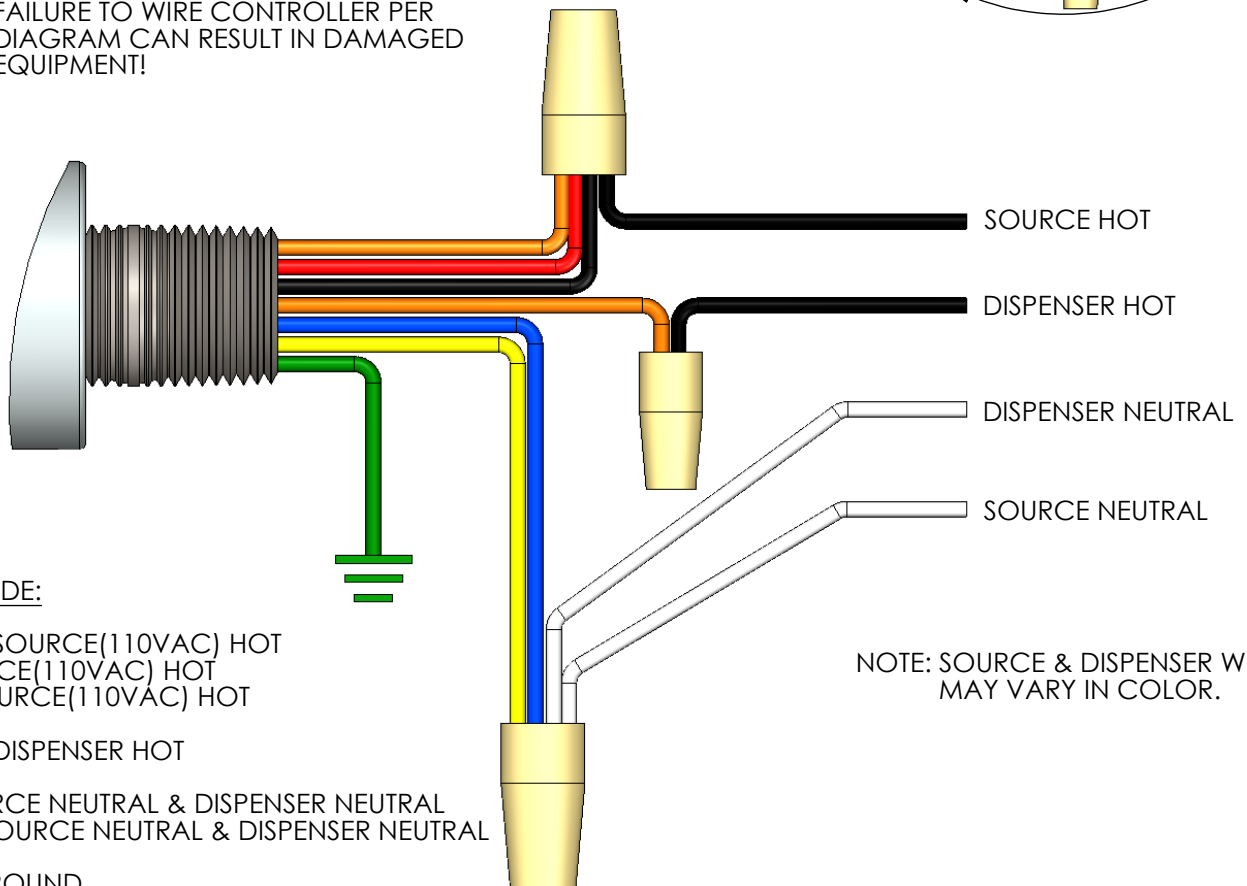


MPC100XP CONTROLLER WIRING DIAGRAM FOR 110VAC, TYPICAL DISPENSER INSTALLATION

(Not recommended for 3-phase)



DISCONNECT POWER BEFORE SERVICING!
FAILURE TO WIRE CONTROLLER PER
DIAGRAM CAN RESULT IN DAMAGED
EQUIPMENT!



COLOR CODE:

ORANGE - SOURCE(110VAC) HOT
RED - SOURCE(110VAC) HOT
BLACK - SOURCE(110VAC) HOT

ORANGE - DISPENSER HOT

BLUE - SOURCE NEUTRAL & DISPENSER NEUTRAL
YELLOW - SOURCE NEUTRAL & DISPENSER NEUTRAL

GREEN - GROUND

NOTE: SOURCE & DISPENSER WIRES
MAY VARY IN COLOR.

