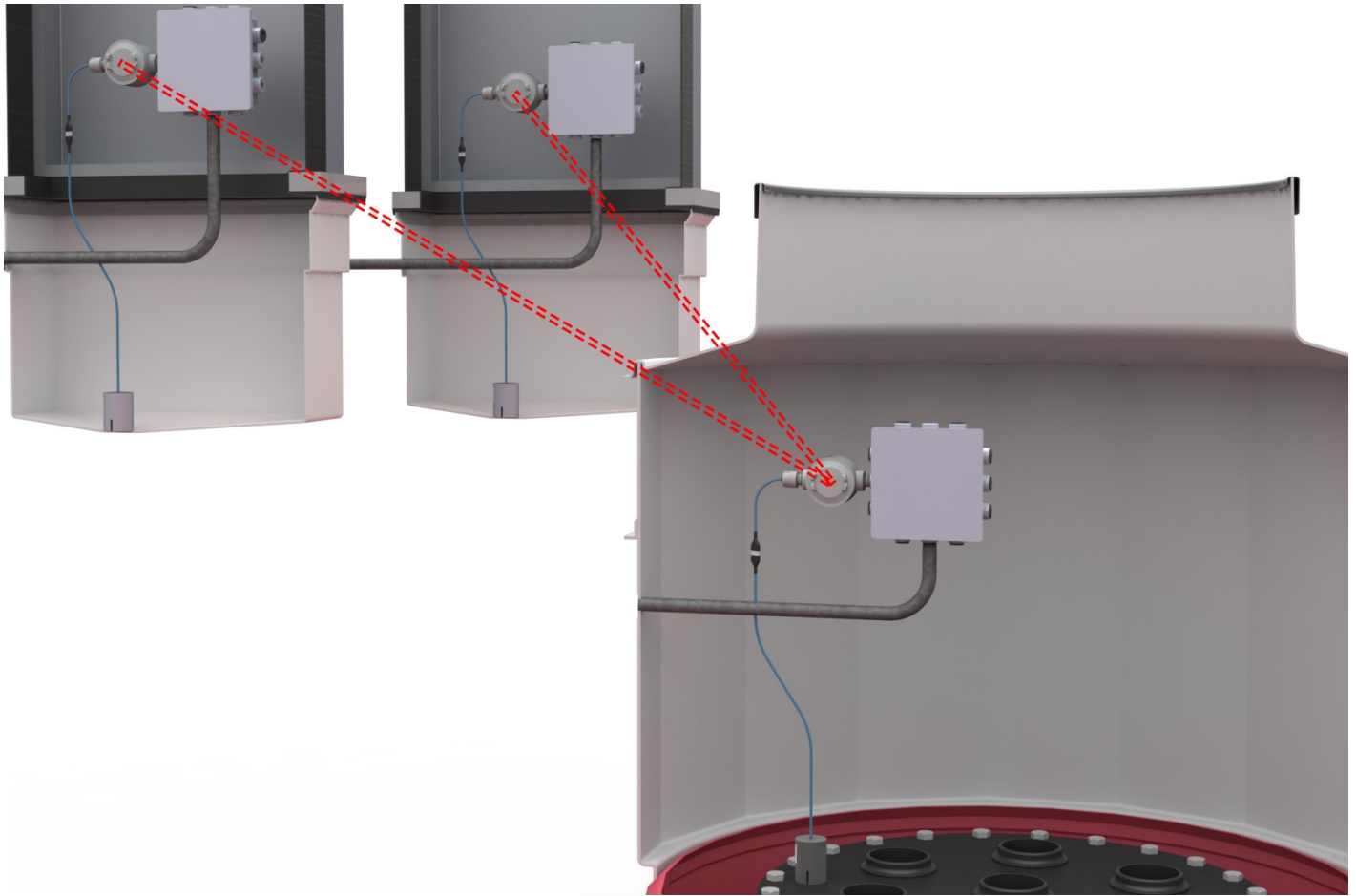


PL140 Sump Liquid Sensor-Controller Kit with Local or Remote Notification



- **Low Cost, Easy Installation**—Uses existing 110 or 220VAC power, no need for additional conduit or wiring
- **Continuous Alarm Monitoring**—Generates alarm when liquid is detected in sump, uses powerline communications to report
- **Fully Customizable**—Use as standalone or for positive shutdown
- **Local or Remote Notification**—Alarm notification can be sent inside station to PLS-10, or add ILON-PL-1 unit to send remote notification

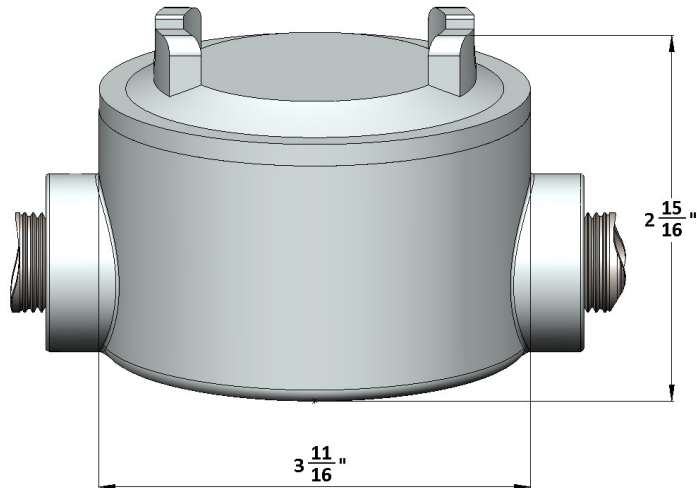
BEAUDREAU Sensor Systems

PL140 Sump Liquid Sensor-Controller Kit with Local or Remote Notification

DCS140L/NL Liquid Sensor



MPC100XP Controller



Specifications:

Detection Time: <1 second

Lower Detection Limit: <1.2 inches

Input Voltage: 120 - 240 volts AC, 60 Hz

Listings:

DCS140 Sensors with MPC100 Controller (approved for gasoline, diesel, E85, biodiesel up to B20, B100, alcohol mixtures up to 100%): National Work Group on Leak Detection Evaluations (NWGLDE), California State Water Board LG 113, Wisconsin COMM 10 Material Approval #20110003

Beaudreau Sensor Systems, LLC
Visit us online at www.beaudreausensorsystems.com
Email: sales@beaudreausensorsystems.com

BEAUDREAU

Sensor Systems